

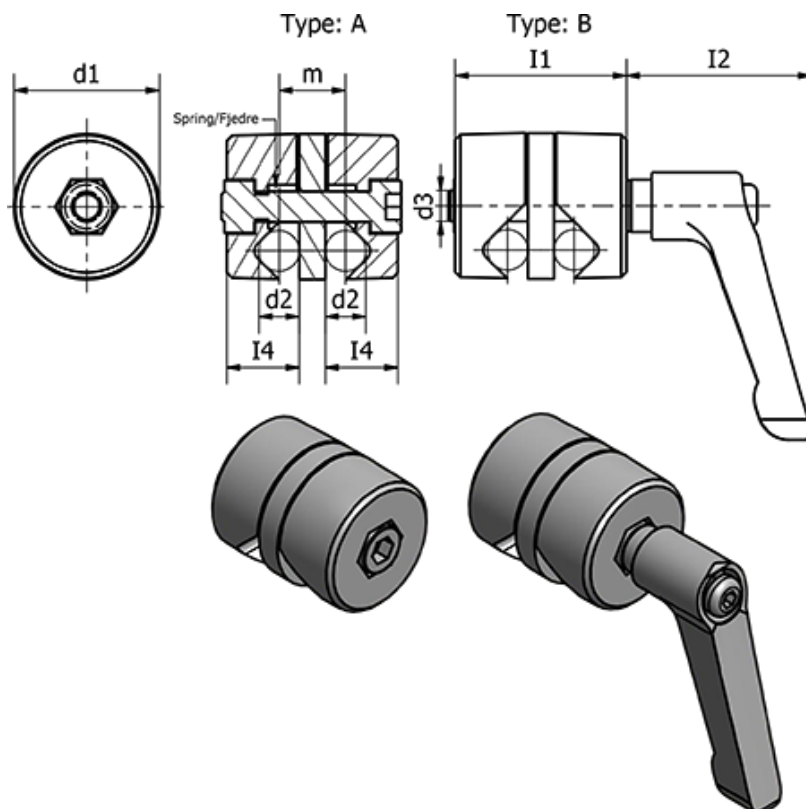
Data Sheet



Article number: 204903612BMT

Description: E+G Clamp mounting - GN 490-36-12-B-MT

Measures



d1 = 36

m = 17

d2 = 12

Weight (g) = 195

d3 = M8

I1 = 47

I2 = 45

I3 = 63

I4 = 21

I5 = 5